

EXC-W62CBL Multi-pixel LED Wall Washer



Application Environment:
Indoor
Outdoor

Description

EXC-W62CBL full color series are high power outdoor landscape LED wall washer with high strength aluminum alloy housing by EXC-LED. EXC-W62CBL can be used for accent lighting or flood lighting, such as building facade, bridge, stage, etc. Customized lighting fixture length available.

Features

- The newest generation technology: DMX512 parallel bus design
- Unique waterproof and breathable design
- Low thermal resistance path heat dissipation design
- Outdoor lightning protection and electrostatic discharge (ESD) protection design
- Projection distance: 1-5m
-

Basic Specifications

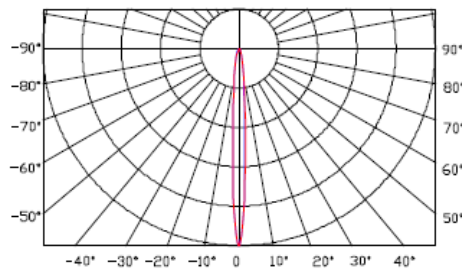
Color Range	RGBW, RGB, W(2200K-6500K)
Light Source	18(RGBW), 36(W, RGB, RGBW) pcs LEDs
Working Voltage	DC 24V
Max. Power Consumption	36W(RGBW, RGBW), 72W(white, RGBW)
Control	DMX512, ON/OFF
Segment	1
Grey Scale	8bit, 16bit
Source Life	50,000 h
RDM	Optional
LED chip Brand	Optional(Cree, OSRAM, Lumileds, Epistar, etc...)
Housing	High Strength Aluminum
Cover	Tempered glass
Weight	2.5KG
Working Temperature	-40°C to 60°C
Storage Temperature	-40°C to 70°C
Protection Rating	IP66

Efficiency flux	75LM/W(white), 25LM/W(RGB), 35LM/W(RGBW)
Beam Angle	XP series: 8°、10°、15°、15*30°、30°、60° CREE 5050 RGBW(four in one) /XMLRGBW(four in one): 15°、30°、45°、60°、15*30° and other beam angle available

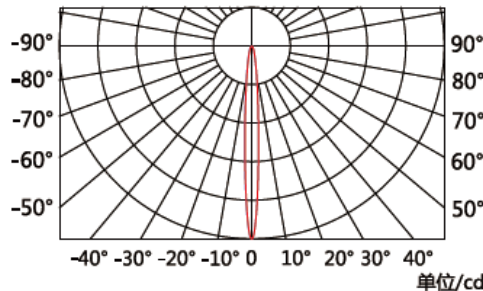
Host Controller	EXC-5200
Slave Controller	EXC-2905T1
Signal Cable	EXC-LED outdoor special cable

Light Intensity Distribution

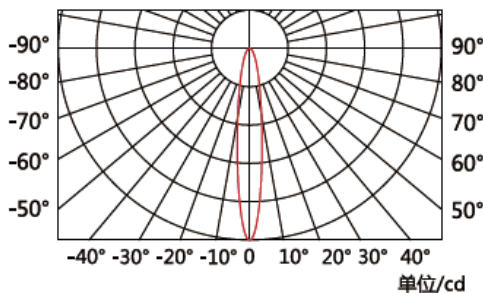
Light Intensity Chart



— C0/180 8°
— C90/270 8°



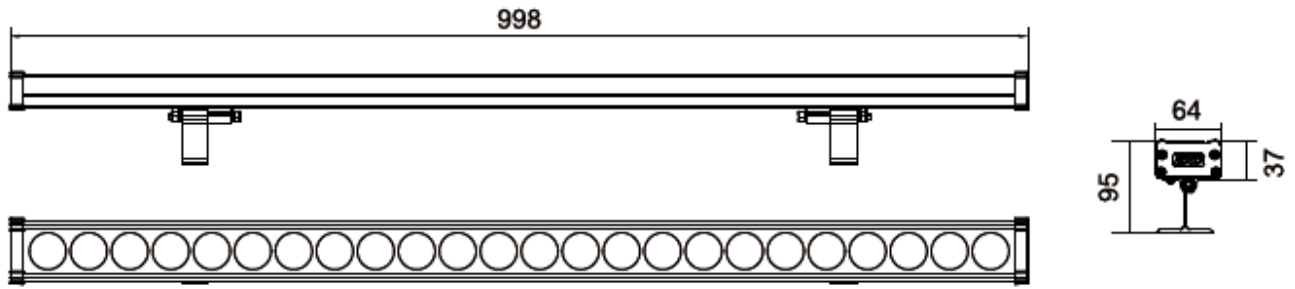
— C0/180 10°
— C90/270 10°



— C0/180 15°
— C90/270 15°

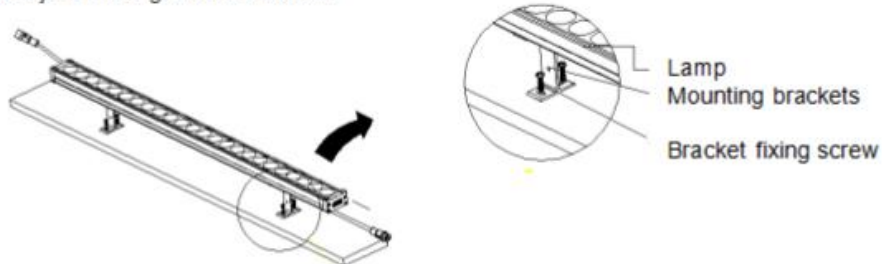
Physical Dimension

Unit: mm

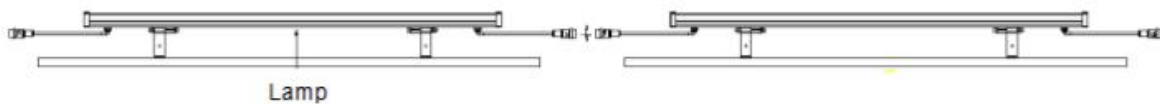


Installation Diagram

Step 1: Place the lamp on the carrier to be pre-installed, and determine the lighting requirements. Lock the support screw to the carrier, and lock the mounting screw. Pay attention to the solid installation and adjust the angle of illumination.



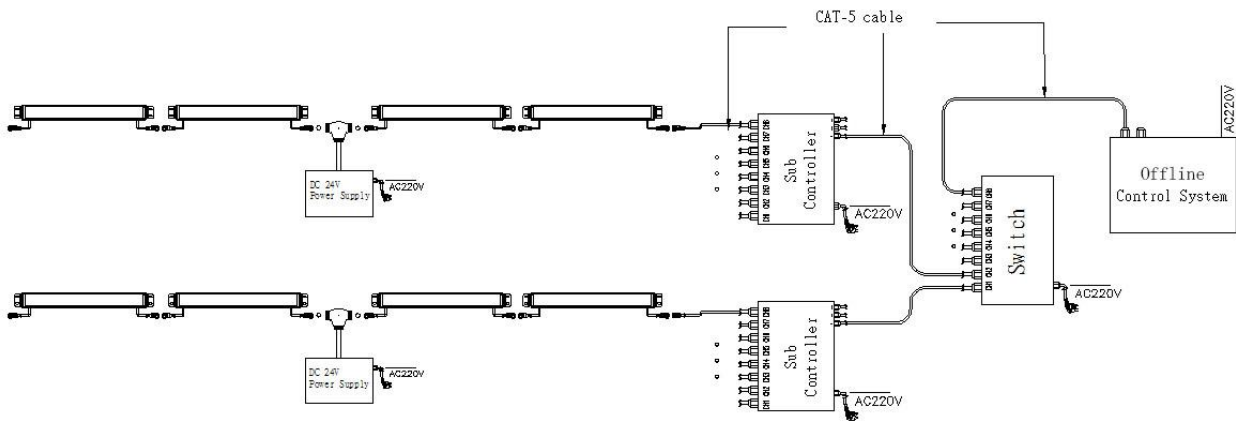
Step 2: According to below picture, connect male and female connector



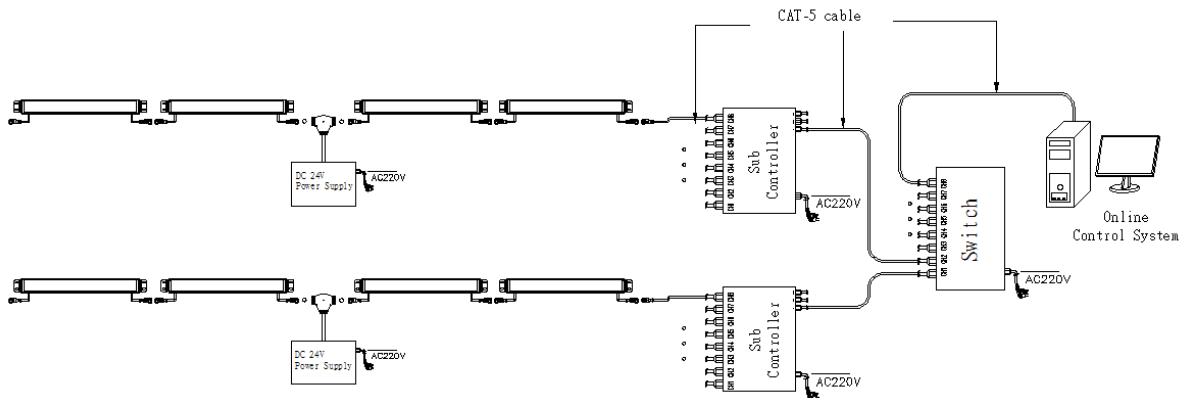
System connection diagram:

- 1、Host controller should connect with slave controller. Working voltage for controllers are AC220V.
- 2、On-line main controller should connect with slave controller, on-line main controller and sub controller working voltage are AC220V.
- 3、each sub-controller with 8 ports, with each port 512 pixels, supporting data converter, supports 100 meters ultra-long haul transmission.
- 4、The CAT-5 e. cable distance should be within 100 meters between host controller and slave controller, between slave controllers and switch, etc.

Offline Controlling System Diagram



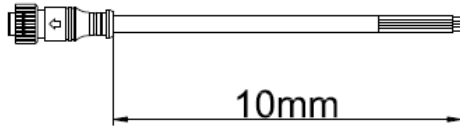
Online Controlling System Diagram



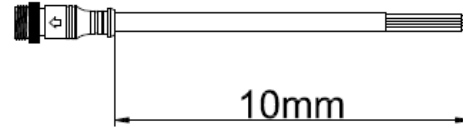
Accessories :

1: Female and Male Connector(Connect to first dot light for signal transmission)

Female Connector

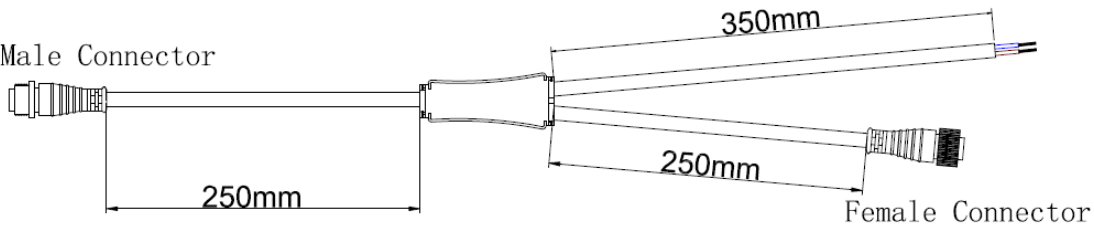


Male Connector



2: Y Shape Connector(For power Distribution)

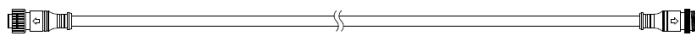
Male Connector



3: Interconnection Cable(1.3M,3M,5M is standard length)

Female Connector

Male Connector



4: End Cap



Male Connector



Male Connector