

**EXC-W80FBH Multi-pixel LED Wall Washer**



Application Environment:  
Indoor  
Outdoor

**Description**

**EXC-W80FBH full color series** are high power outdoor landscape LED wall washer with high strength aluminum alloy housing by EXC-LED. EXC-W80FBH can be used for accent lighting or flood lighting, such as building facade, bridge, stage, etc. Customized lighting fixture length available.

**Features**

- The newest generation technology: DMX512 parallel bus design
- Professional comb convection heat dissipation design
- Unique waterproof and breathable design
- Low thermal resistance path heat dissipation design
- Outdoor lightning protection and electrostatic discharge (ESD) protection design
- Projection distance: 1-7.5m

**Basic Specifications**

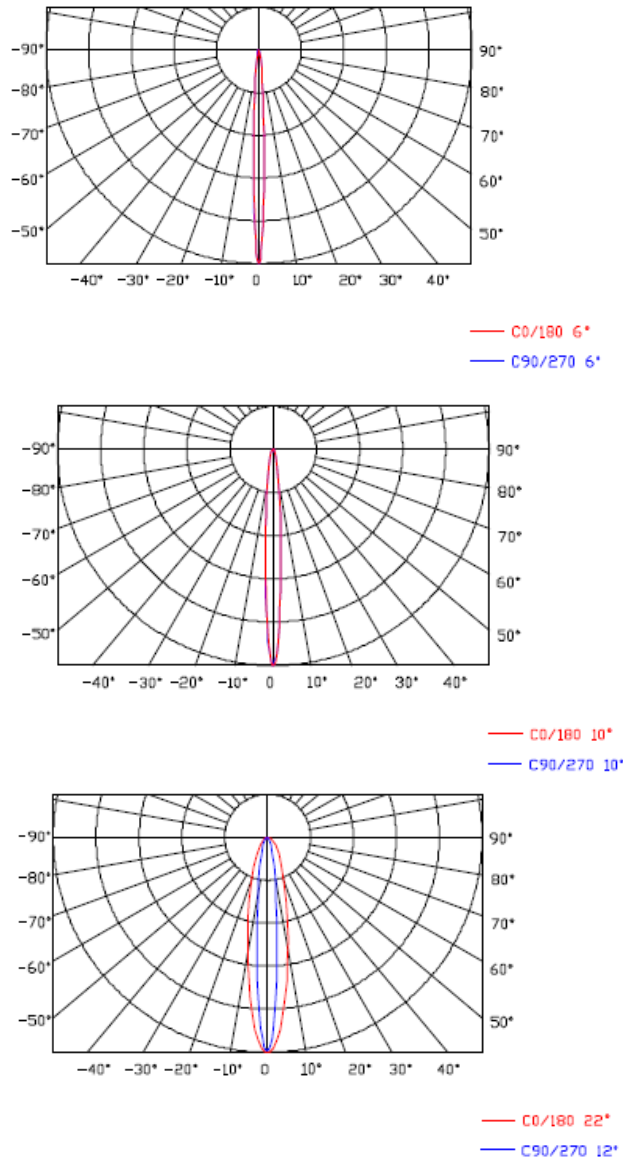
|                        |  |
|------------------------|--|
| Color Range            | W(2200K-6500K), RGB, RGBW                        |
| Light Source           | 72, 24R+24G+24B, 18R+18G+18B+18W pcs LEDs        |
| Working Voltage        | AC 220V  |
| Max. Power Consumption | 120W(white), 120W(RGB, RGBW)                     |
| Control                | DMX512, ON/OFF                                   |
| Segment                | 1, 2(RGB, RGBW)                                  |
| Grey Scale             | 8bit, 16bit                                      |
| Source Life            | 50,000 h   |
| RDM                    | Optional   |
| LED chip Brand         | Optional(Cree, OSRAM, Lumileds, Epistar, etc...) |
| Housing                | High Strength Aluminum                           |
| Cover                  | Tempered glass                                   |
| Weight                 | 6.0KG  |

|                     |   |
|---------------------|---|
| Working Temperature | -40°C to 60°C                               |
| Storage Temperature | -40°C to 70°C                               |
| Protection Rating   | IP66  |
| Efficiency flux     | ≥70LM/W(White), ≥45LM/W(RGBW), ≥30LM/W(RGB) |
| Beam Angle          | 6°, 10°, 12*22° and other angles optional   |

|                  |                               |
|------------------|-------------------------------|
| Host Controller  | EXC-5200                      |
| Slave Controller | EXC-2905T1                    |
| Signal Cable     | EXC-LED outdoor special cable |

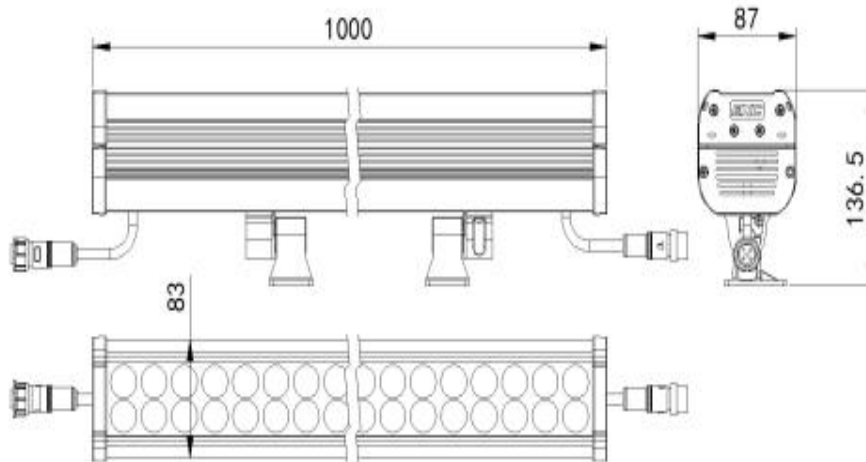
### Light Intensity Distribution

### Light Intensity Chart

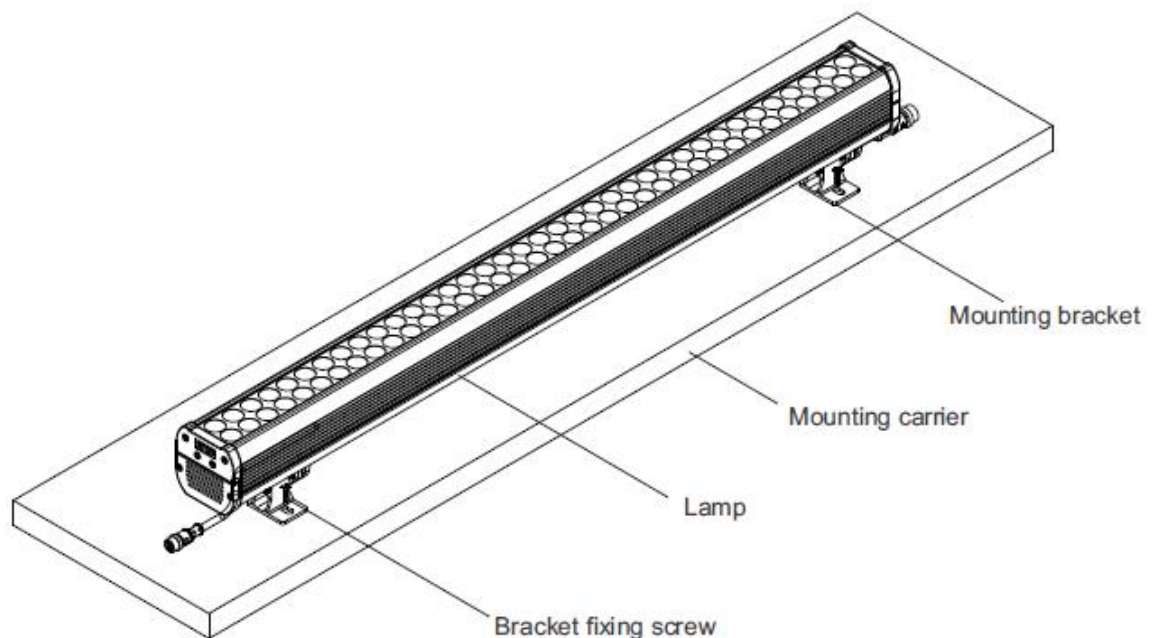


**Physical Dimension**

Unit:mm

**Installation Diagram**

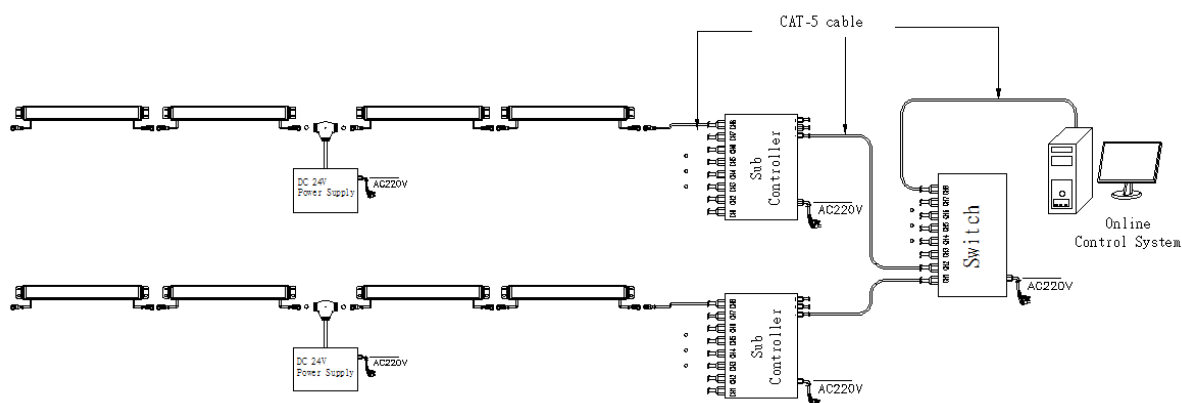
Use M8 expansion screws to fix the mounting seat to the required position as shown in the figure.  
The specific spacing shall be based on the length of lights.



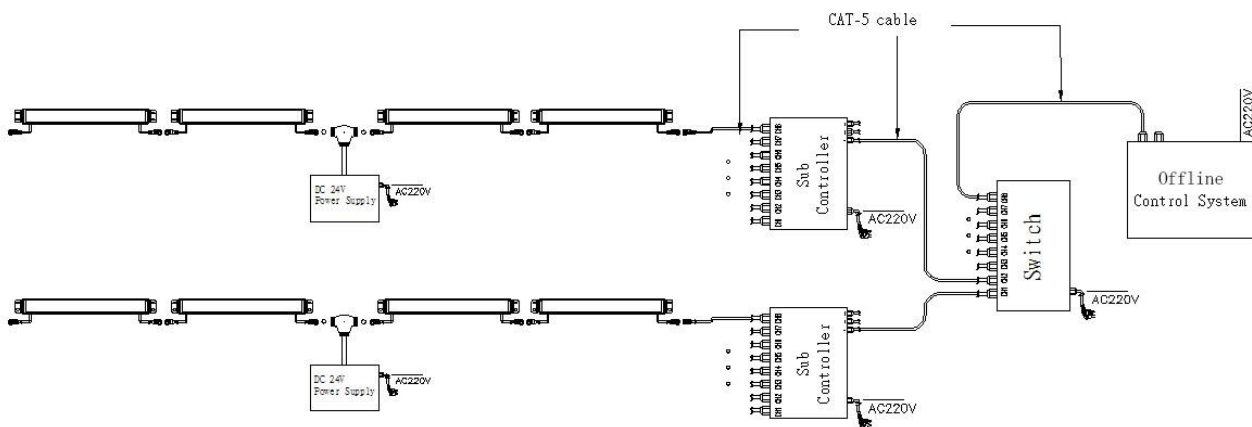
**System connection diagram:**

- 1, Host controller should connect with slave controller. Working voltage for controllers are AC220V.
- 2, On-line main controller should connect with slave controller, on-line main controller and sub controller working voltage are AC220V.
- 3, Each sub-controller with 8 ports, with each port 512 pixels, supporting data converter, supports 100 meters ultra-long haul transmission.
- 4, The CAT-5 e. cable distance should be within 100 meters between host controller and slave controller, between slave controllers and switch, etc.

**Online Controlling System Diagram**



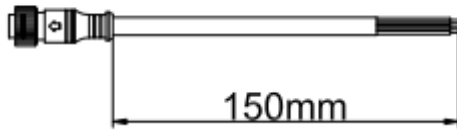
**Offline Controlling System Diagram**



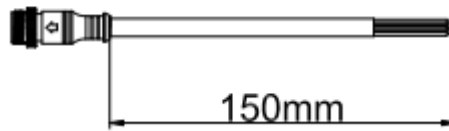
**Accessories :**

**1: Female and Male Connector( Connect to first dot light for signal transmission)**

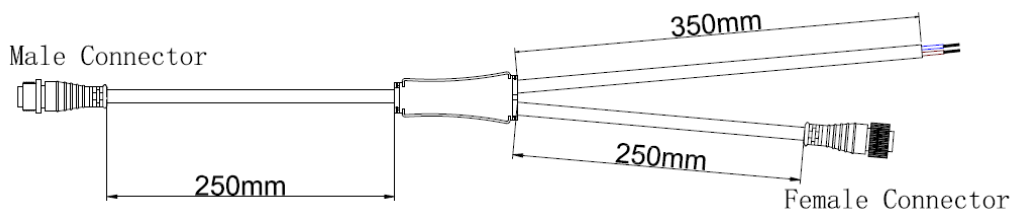
Female Connector



Male Connector



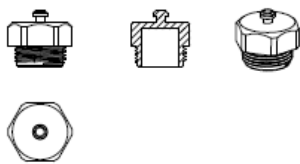
**2: Y Shape Connector(For power Distribution)**



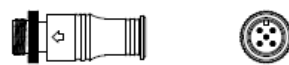
**3: Interconnection Cable(1.3M,3M,5M is standard length)**



**4: End Cap**



Male Connector



Male Connector